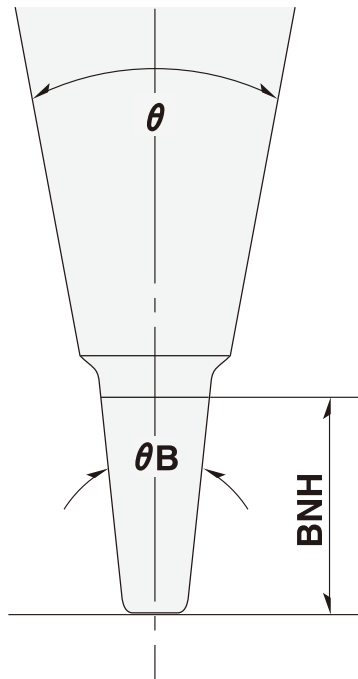
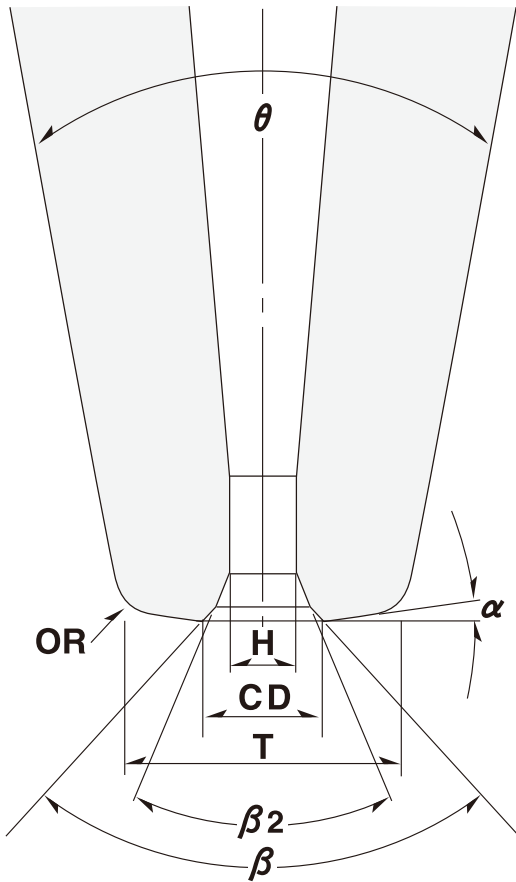


カスタムメイドオーダーシート

Custom-made Order Sheet



H ... Hole Diameter

T ... Tip Diameter

CD ... Chamfer Diameter

OR ... Outer Radius

α ... Face Angle

θ ... Cone Angle

L ... Tool Length

Type ... Standard or Bottleneck

Finish ... Polish or Matte

β ... Chamfer Angle

θB ... Bottleneck Angle

BNH ... Bottle Neck Height

Tolerances ... Standard or High Spec

Material ... Ruby or Ceramic

Material	H	T	CD	OR	α	θ	L	Type	Finish	β	θB	BNH	Tolerances	Option

Customer	
----------	--